

## Wall mounted shower seat with back, arms & legs



### Product Detail:

Non-corrosive aluminium & stainless steel frame

Padded fold down arm rests

Durable clip-on moulded plastic seat

Height adjustable; E-clip for 25mm increments

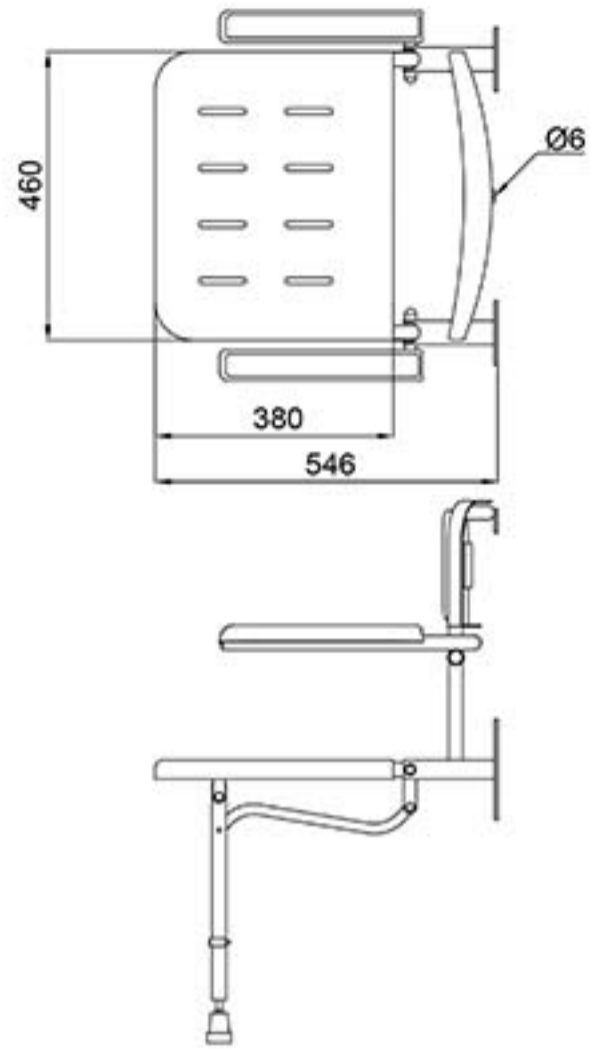
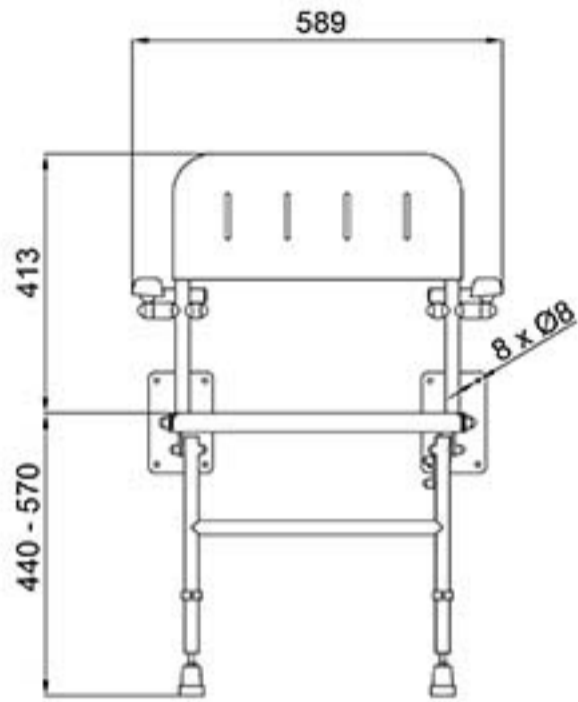
Foot thread for fine adjustment

MAX RATED LOAD: 190 kg

Reference (specify): 130203

Available colours/finishes





Order Code	Size (A)
130203	

PLEASE NOTE: Every effort has been made to ensure as much accuracy as possible. However, due to print restrictions exact colour match is not always possible. Featured products may also be changed from time to time, but are correct at time of publication.

\* Terms and Conditions apply - [www.nymas.co.uk/warranties](http://www.nymas.co.uk/warranties)